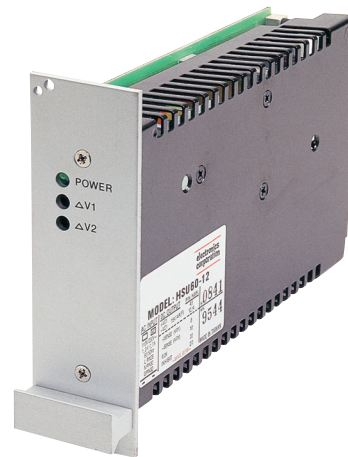


PBJE Series

45 - 100 WATTS DC/DC SINGLE DUAL & TRIPLE OUTPUT

Features

- Low cost
- Available in AC or DC input
- Fully isolated output
- AC power fail signal, optional
- Short circuit protection
- Overvoltage protection



Specifications

INPUT

| | |
|---------------|---|
| Input voltage | 115/230VAC dual selectable 9–18VDC, add “-12” to model No. 18–36VDC, add “-24” to model No. 36–72VDC, add “-48” to model No. |
|---------------|---|

| | |
|------------------|------------|
| Input protection | Input fuse |
|------------------|------------|

| | |
|----------------|----------------|
| Inrush current | AC inputs: 25A |
|----------------|----------------|

OUTPUT

| | |
|----------------|-----------|
| Output Voltage | See table |
|----------------|-----------|

| | |
|---------------------------|--|
| Output Voltage Adjustment | Output 1 adjusts from -10% to OVP trip point For AC inputs, 60W & 100W Output 2 adjusts ±10% |
|---------------------------|--|

| | |
|----------------|-----------|
| Output current | See table |
|----------------|-----------|

| | |
|----------------|---------------------|
| Ripple & noise | 1% typical, 2% max. |
|----------------|---------------------|

| | |
|-----------------|--------------|
| Line regulation | 0.4% typical |
|-----------------|--------------|

| | |
|-----------------|---|
| Load regulation | Output 1, 1% typical; Outputs 2 & 3, 2-3% typical |
|-----------------|---|

| | |
|------------------------|------------------|
| Overvoltage protection | Yes, on Output 1 |
|------------------------|------------------|

| | |
|---------------------|-------------------------------|
| Overload protection | Yes, at 125%–150% rated power |
|---------------------|-------------------------------|

| | |
|--------------------------|-----|
| Short circuit protection | Yes |
|--------------------------|-----|

| | |
|--------------------|------------------------------------|
| Transient response | 3mS for AC inputs, 50% load change |
|--------------------|------------------------------------|

| | |
|-------------|----------------------------------|
| Holdup time | 20mS min. after loss of AC input |
|-------------|----------------------------------|

| | |
|-----------|-----------------------------|
| Rise time | 400mS typical for DC inputs |
|-----------|-----------------------------|

| | |
|--------------|---|
| Remote sense | Available on AC input units, single outputs |
|--------------|---|

OPERATING

| | |
|------------|-----------------|
| Efficiency | 70%–75% typical |
|------------|-----------------|

| | |
|------------------|---|
| Safety isolation | AC Input: Input – Output: 3750VAC Input – Ground: 1500VAC Output – Ground: 500VAC DC Input: Input – Output: 1500VAC Input – Ground: 500VAC Output – Ground: 500VAC |
|------------------|---|

| | |
|----------------|------------------|
| Remote inhibit | Yes for AC input |
|----------------|------------------|

| | |
|-----------|----------------------------|
| Powerfail | Yes for AC input, optional |
|-----------|----------------------------|

ENVIRONMENTAL

| | |
|-----------------------|-------------------------|
| Operating temperature | 0°C to 50°C full rating |
|-----------------------|-------------------------|

| | |
|-------------------|---|
| Inside rack space | 50°C to 70°C derate linearly to half load |
|-------------------|---|

| | |
|---------------------|---------------|
| Storage temperature | -20°C to 85°C |
|---------------------|---------------|

| | |
|---------|-------------------|
| Cooling | Convection cooled |
|---------|-------------------|

STANDARDS AND APPROVALS

| | |
|------------------|------------------------------|
| Safety standards | IEC60950-1/UL60950-1 Class 1 |
|------------------|------------------------------|

| | |
|--------|-------------------------------------|
| C-Tick | AS/NZS CISPR11: 2002 Group1 Class A |
|--------|-------------------------------------|

| | |
|---------------|--------------------------------|
| EMI standards | Meet CISPR PUB 22, FCC Class B |
|---------------|--------------------------------|

MECHANICAL

| | |
|------------|--|
| Dimensions | 45W: 30.3x128.7x160mm 60W: 40.5x128.7x160mm 100W: 50.6x128.7x160mm |
|------------|--|

| | |
|-----------|--------------|
| Connector | DIN 41612-15 |
|-----------|--------------|

PBJE Series

45 - 100 WATTS DC/DC SINGLE DUAL & TRIPLE OUTPUT

Selection Table - 45W

| Model Number | Output 1 | | Output 2 | | Output 3 | |
|-----------------|----------|------|----------|--------|----------|----|
| | V | I | V | I | V | I |
| PBJE45-10 | 5V | 9A | | | | |
| PBJE45-11 | 12V | 4A | | | | |
| PBJE45-12 | 15V | 3A | | | | |
| PBJE45-13 | 24V | 2A | | | | |
| PBJE45-20 | 5V | 4A | 12V | 2A | | |
| PBJE45-21 | 12V | 2A | 12V | 1.5-2A | | |
| PBJE45-22* | 5V | 4A | 15V | 1.2A | | |
| PBJE45-23 | 15V | 1.5A | 15V | 1.5A | | |
| PBJE45-24 | 5V | 4A | 24V | 1A | | |
| PBJE45-25 | 24V | 1A | 24V | 1A | | |
| PBJE45-30 | 5V | 3A | 12V | 0.5A | 5V | 1A |
| PBJE45-31 | 5V | 3A | 15V | 0.3A | 15V | 1A |
| PBJE45-32 | 5V | 3A | 12V | 0.5A | 12V | 1A |
| PBJE45-33 | 5V | 3A | 24V | 0.5A | 12V | 1A |

Selection Table - 100W

| Model Number | Output 1 | | Output 2 | | Output 3 | |
|-----------------|----------|------|----------|------|----------|------|
| | V | I | V | I | V | I |
| PBJE100-10 | 5V | 20A | | | | |
| PBJE100-11 | 12V | 8.5A | | | | |
| PBJE100-12 | 15V | 7A | | | | |
| PBJE100-13 | 24V | 4.3A | | | | |
| PBJE100-20 | 5V | 8A | 12V | 5A | | |
| PBJE100-21 | 12V | 4.2A | 12V | 4.2A | | |
| PBJE100-22* | 5V | 8A | 15V | 4A | | |
| PBJE100-23 | 15V | 3.4A | 15V | 3.4A | | |
| PBJE100-24 | 5V | 8A | 24V | 2.5A | | |
| PBJE100-25 | 24V | 2.1A | 24V | 2.1A | | |
| PBJE100-30 | 5V | 7A | 12V | 5A | 5V | 41A |
| PBJE100-31 | 5V | 6A | 15V | 4A | 15V | 0.6A |
| PBJE100-32 | 5V | 7A | 12V | 5A | 12V | 0.5A |
| PBJE100-33 | 5V | 7A | 24V | 2.5A | 12V | 0.5A |

Selection Table - 60W

| Model Number | Output 1 | | Output 2 | | Output 3 | |
|-----------------|----------|------|----------|----------|----------|------|
| | V | I | V | I | V | I |
| PBJE60-10 | 5V | 12A | | | | |
| PBJE60-11 | 12V | 5A | | | | |
| PBJE60-12 | 15V | 4A | | | | |
| PBJE60-13 | 24V | 2.5A | | | | |
| PBJE60-20 | 5V | 5A | 12V | 3A | | |
| PBJE60-21 | 12V | 2.5A | 12V | 2.5A | | |
| PBJE60-22* | 5V | 5A | 15V | 2.5A | | |
| PBJE60-23 | 15V | 2A | 15V | 2A | | |
| PBJE60-24 | 5V | 5A | 24V | 1.5A | | |
| PBJE60-25 | 24V | 1.4A | 24V | 1.4A | | |
| PBJE60-30 | 5V | 5A | 12V | 2.5A | 5V | 0.5A |
| PBJE60-31 | 5V | 4.5A | 15V | 2-2.5A | 15V | 0.5A |
| PBJE60-32 | 5V | 5A | 12V | 2.5A | 12V | 0.5A |
| PBJE60-33 | 5V | 5A | 24V | 1.3-1.5A | 12V | 0.5A |

Input/Output Connections

| PIN | SINGLE Output | DUAL Output | TRIPLE Output |
|-----|-----------------------|-----------------------|-----------------------|
| 4 | +V01 | +V01 | +V01 |
| 6 | +V01 | -V01 | +V01 |
| 8 | SENSE+ | +V02 | -V01 |
| 10 | SENSE- | -V02 | -V01 |
| 12 | -V01 | NC | +V02 |
| 14 | -V01 | NC | -V02 |
| 16 | NC | NC | +V03 |
| 18 | NC | NC | -V03 |
| 20 | Log inh | Log inh | Log inh |
| 22 | Power fail | Power fail | Power fail |
| 24 | NC | NC | NC |
| 26 | NC | NC | NC |
| 28 | AC Line/DC I/P (+) | AC Line/DC I/P (+) | AC Line/DC I/P (+) |
| 30 | AC Neutral/DC I/P (-) | AC Neutral/DC I/P (-) | AC Neutral/DC I/P (-) |
| 32 | Safety Ground | Safety Ground | Safety Ground |

Note: Above current rating are maximum current ratings. Maximum current cannot be drawn from all outputs simultaneously. Average power should not exceed the power rating of circuit.

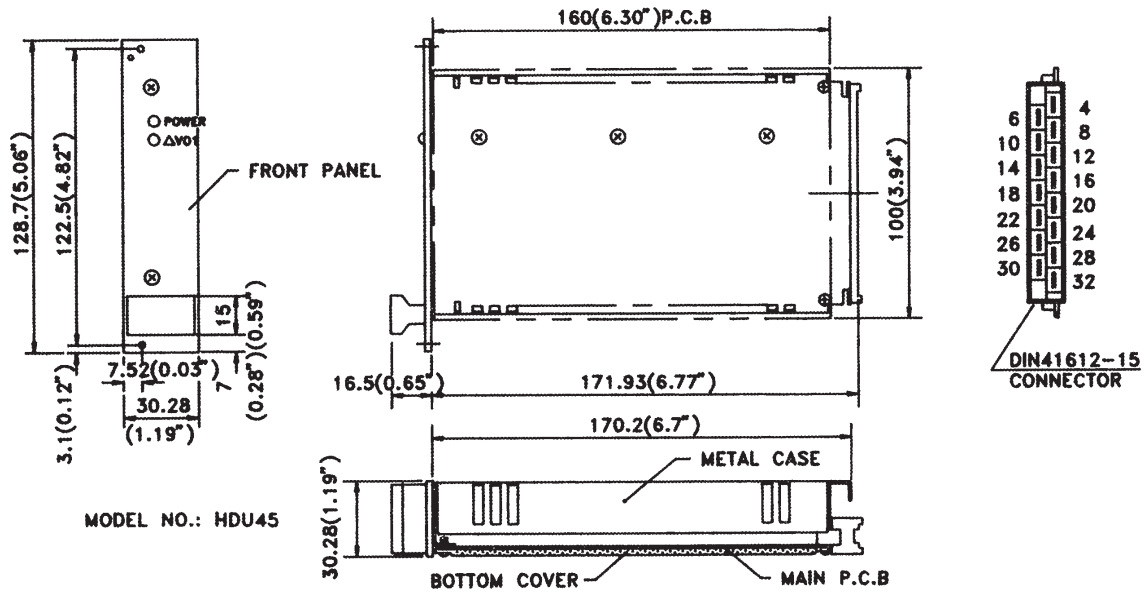
* AC version only.

PBJE Series

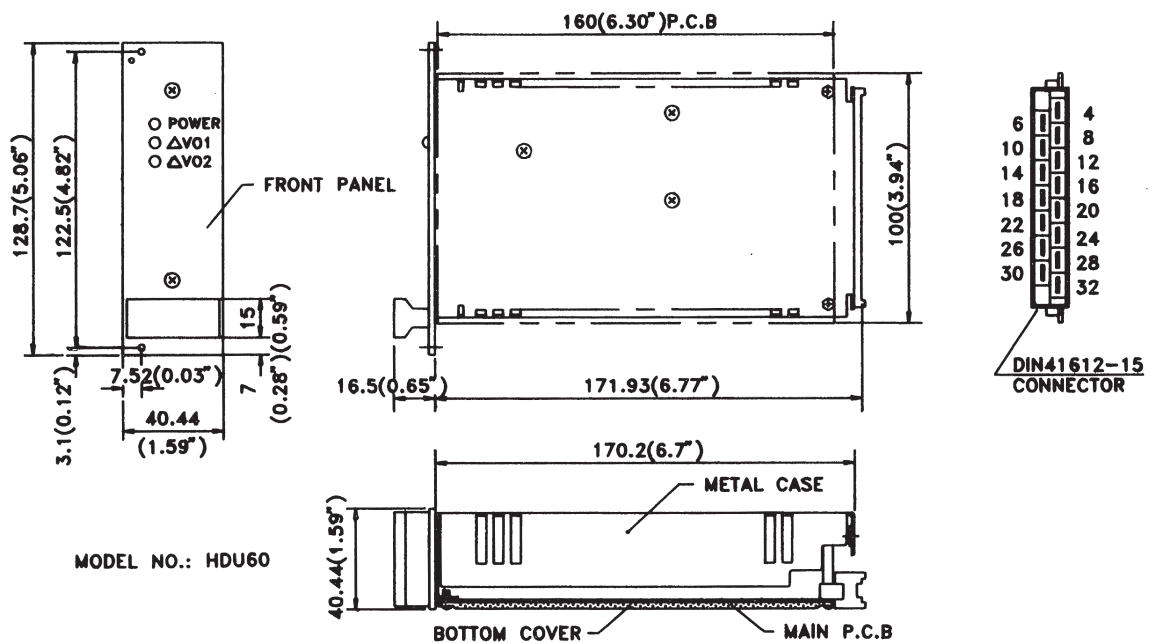
45 - 100 WATTS DC/DC SINGLE DUAL & TRIPLE OUTPUT

Technical Illustrations

PBJE45



PBJE60



PBJE Series

45 - 100 WATTS DC/DC SINGLE DUAL & TRIPLE OUTPUT

PBJE100

